

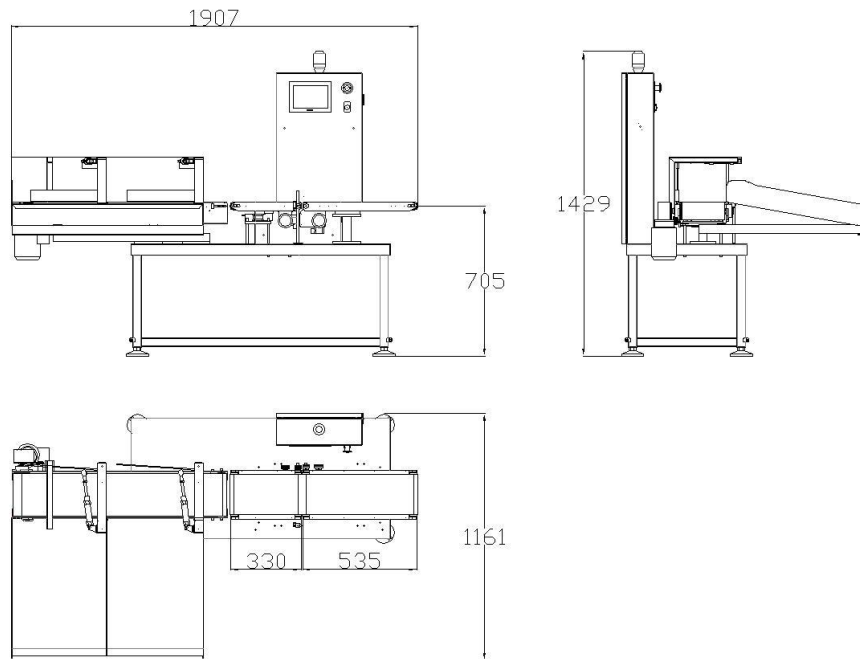


DYNAMIC WEIGHT CHECKER HIGH SPEED MODEL



GENERAL CHARACTERISTICS

The dynamic weight checker was created for high speeds with a simple and clean design, made completely from stainless steel.



CONSTRUCTION CHARACTERISTICS

1. Control: via **14" Touch screen PC**

2. Conveyor belts:

- 1st belt: this belt separates the products for proper weighing.
- 2nd belt: this belt is equipped with the weighing cell and captures the weight.
- 3rd belt: this belt discards the packages that don't have the proper weight.

3. Supporting chassis: It's built from stainless steel tubes 40x40x1.5mm. The legs are adjustable in height. Stainless steel casing for the touch screen PC.

4. Product discard: The product discard consists of 1000x200mm easy slide conveyor belt and a discarding blade which actuates on faulty packages, removing them from the production line and to a separate recipient.

5. Precision: depending on the size of the packages and speed of the machine the precision can reach up to **+/- 0.1gr**.

6. Maximum weight: adjustable to client specifications.

7. From 150 to 200 packages per minute, depending on the size and form of the product.

8. Includes the possibility to connect to a network of PCs.