



BAGGING MACHINE MDB



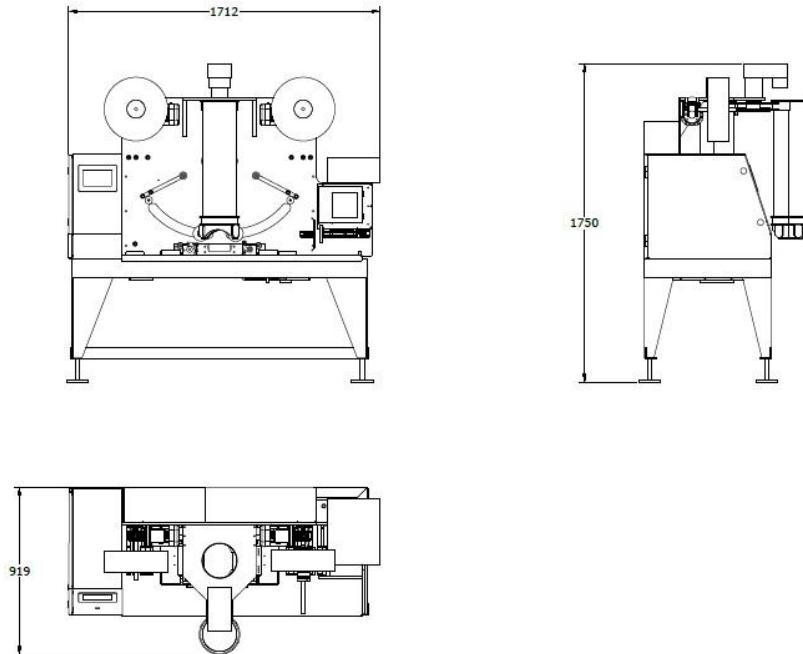
MDB V2 WITH LABELMAKER SPE



Description

The bagging machine MDB is a machine designed to pack fruit using mesh net and plastic strips in different forms and combinations, which are sealed with thermal welding, reinforcing the bag, closing the bag and creating a strap which serve for transportation. It is also possible to attach a label to one of the plastic strips, depending on the market the product is being produced for.

This machine has an automatic tube exchange, so when one tube is working, the other can be replenished with more net meshing.



Characteristics

BAGGING MACHINE MDB V2

- Control
 - Supply tension
 - Frequency
 - Potency
 - Air consumption
 - Pressure
 - Loading height
 - Weight
 - Working temperature
 - External dimensions
-
- **Production** (Depending on size and weight of package)
 - **Packets**

DAMARC AGROBOTIC, S.L.

- Electronically, via PLC y touch screen
- Three phase + neutral 380Vac
- 50Hz
- 2,7kW
- 35m³ /h
- 6 bar
- 1.750mm
- 500kg
- From 0° to 45°C
- Max. length: 2.175mm
- Max. width: 900mm
- Max height: 1.800mm
- From 23 to 31 bags per minute
- From 500g up to 5 kg